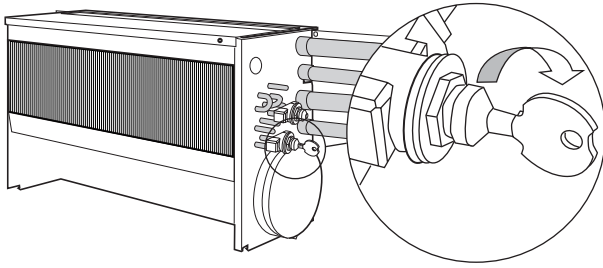
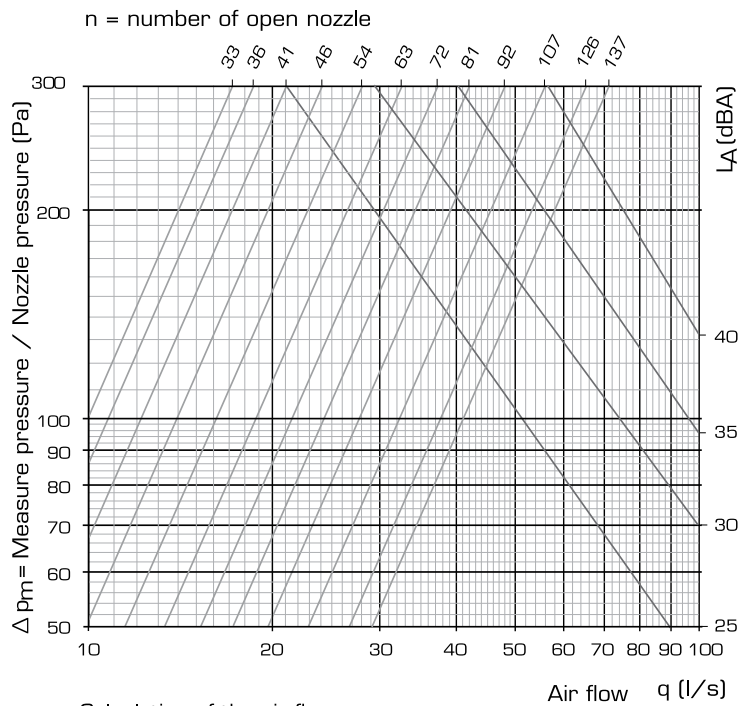
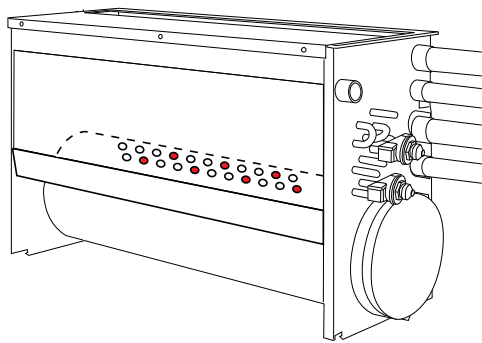
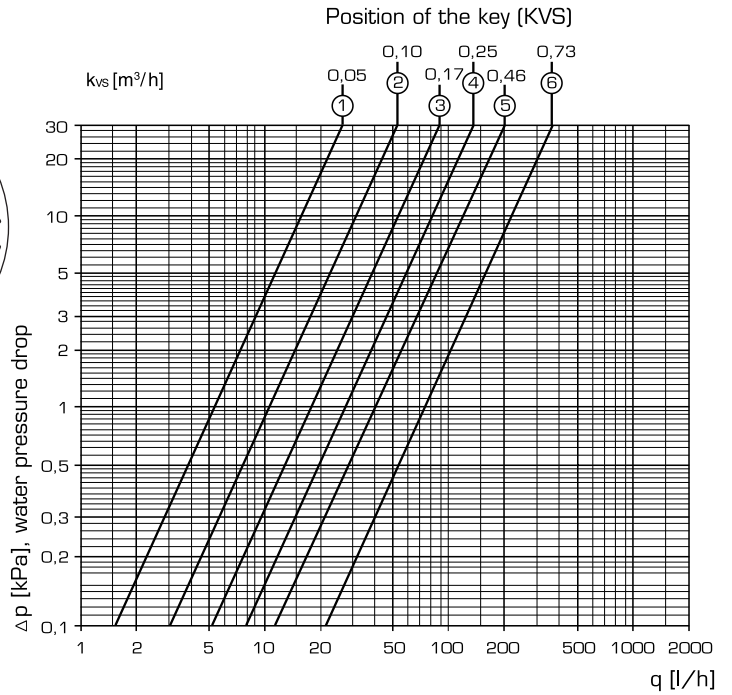


Commissioning



QVFZ-06: Key to set the KVS of the valve. 6 positions are available



Calculation of the air flow:

$$Q = k n \sqrt{\Delta p_m}$$

- q, air flow l/s
- k = 0,03
- n, number of open nozzles
- Δp_m , measured pressure Pa