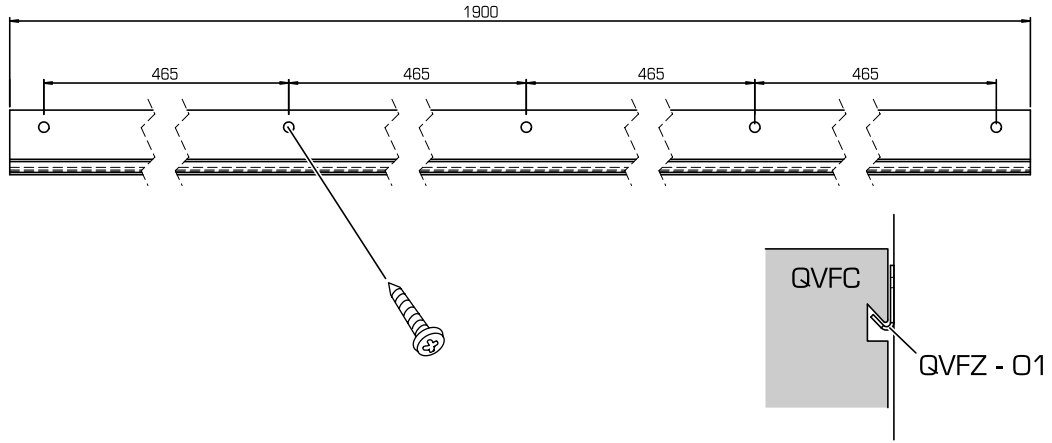


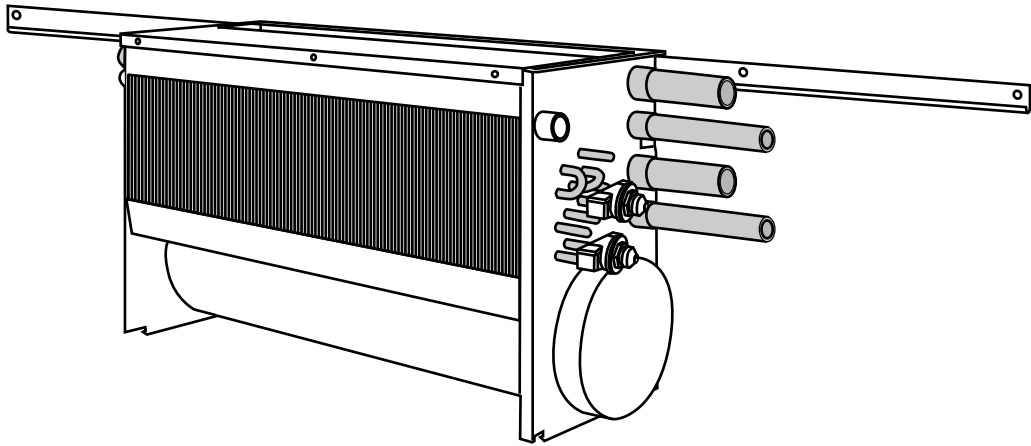
# Installation



①

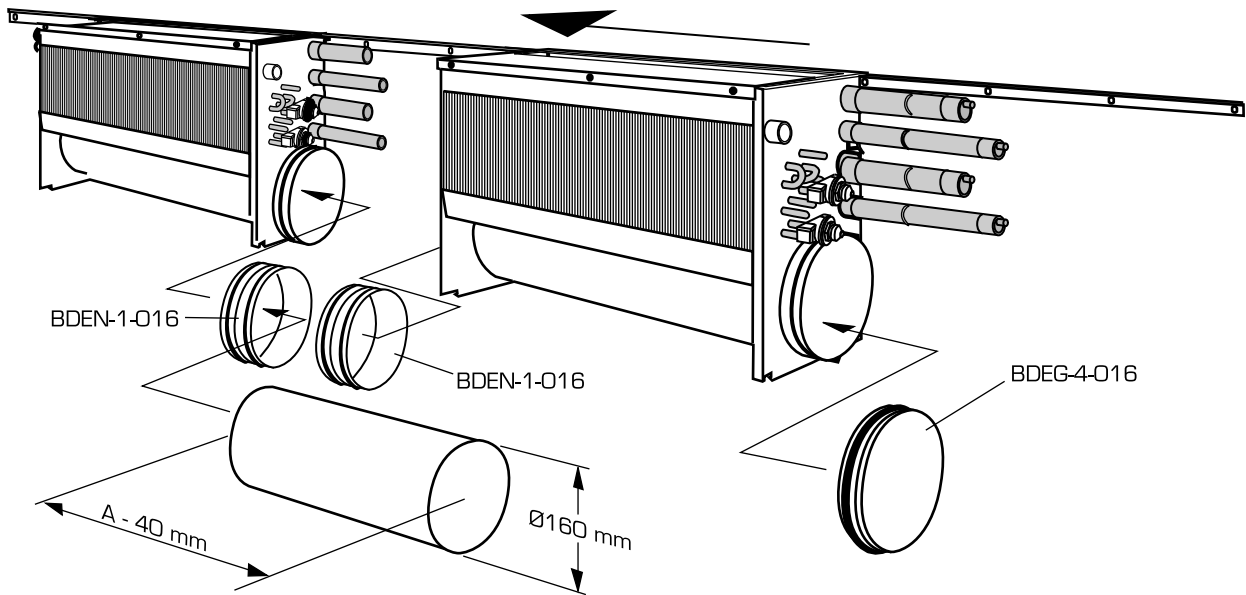


②



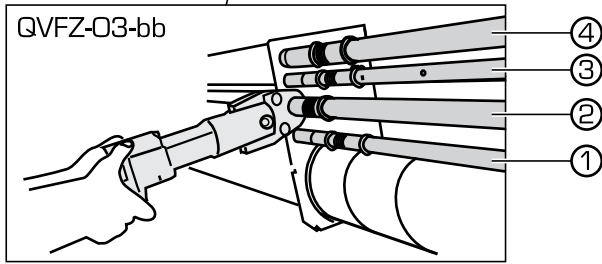
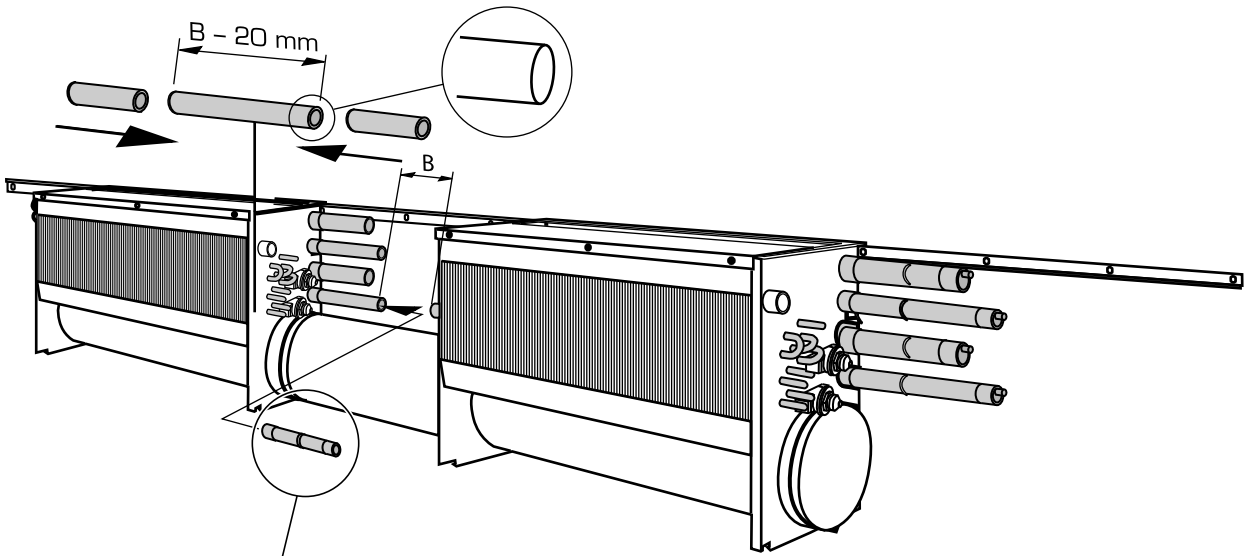


3





④



⑤

